

Task 2.7 Advanced Controls

Antonín Lupíšek, antonin.lupisek@uceeb.cz

Final Report: “Task 2.7-report_v1.1”

- Control strategies: What we can control in an intelligent building
- Most commonly used control strategies
- Forecasting - use and benefits for home application control strategies
- Control from the users’ perspective
- Some of the main relevant companies in the Czech market
- Advanced controls, monitoring, optimization and application of multi-sensors
- Control system for modular components

Completion of task 2.7

Scope definition for the pilot project

- From conceptualization to system components and its integration and communication
- Algorithms and services to be provided

Czech pilot

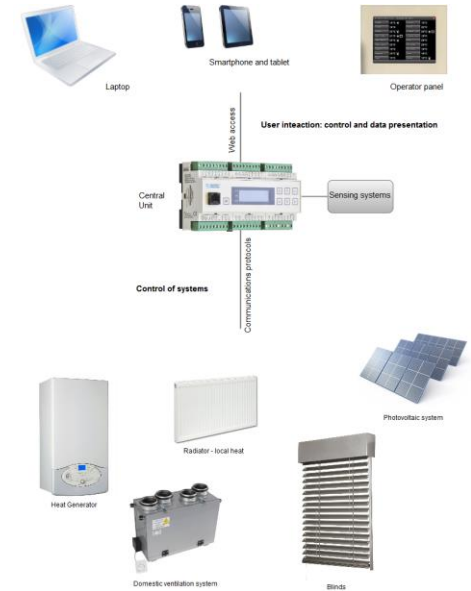
- Two* basic renovation configurations

Low-cost

- Equitherm control
- Electric blinds
- Embedded room operator or Thermostat

High Tech

- MPC
- Automated and integrated (blinds, heating and ventilation)
- Indoor air quality sensor
- PV forecast service
- Moisture Guard



SYSTEM ELEMENTS



Junction box



Façade panel

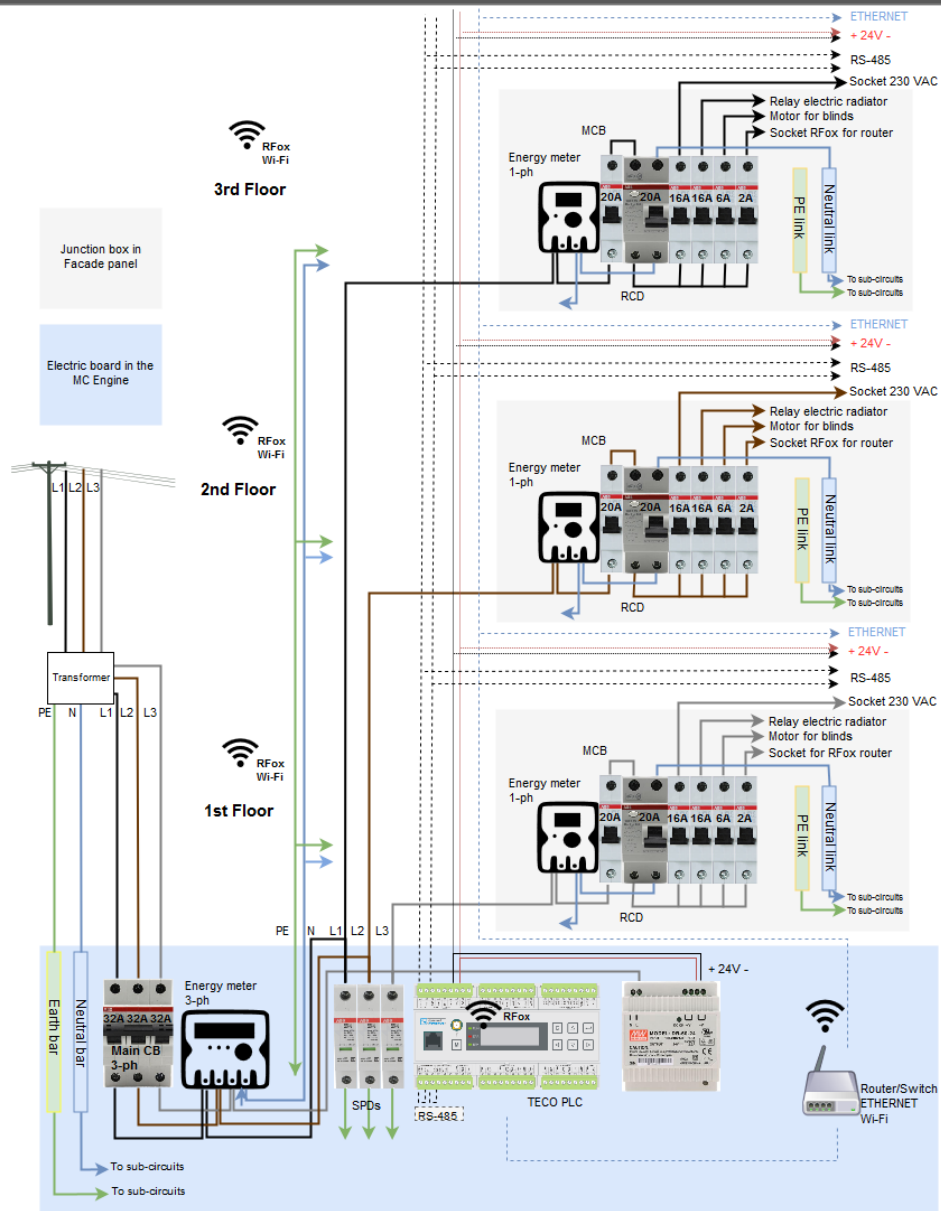


M-C engine



M-C engine

SYSTEM DESIGN



Completion of task 2.7



Initial of systems embedding – task 3.6